



Dinam LED Limited, Dynamic lighting for colorful life

LED PANEL (600X600)

(Constant-voltage: DC 24V)

LD-PACV3528-N

SECOND GENERATION PRODUCT



Dinam LED Limited

Web: www.dinamled.com

Email: info@dinamled.com

Contact: Luisa

Tel: +86-755-23063529

Fax: +86-755-22700020

Mobile: +86-13600151478

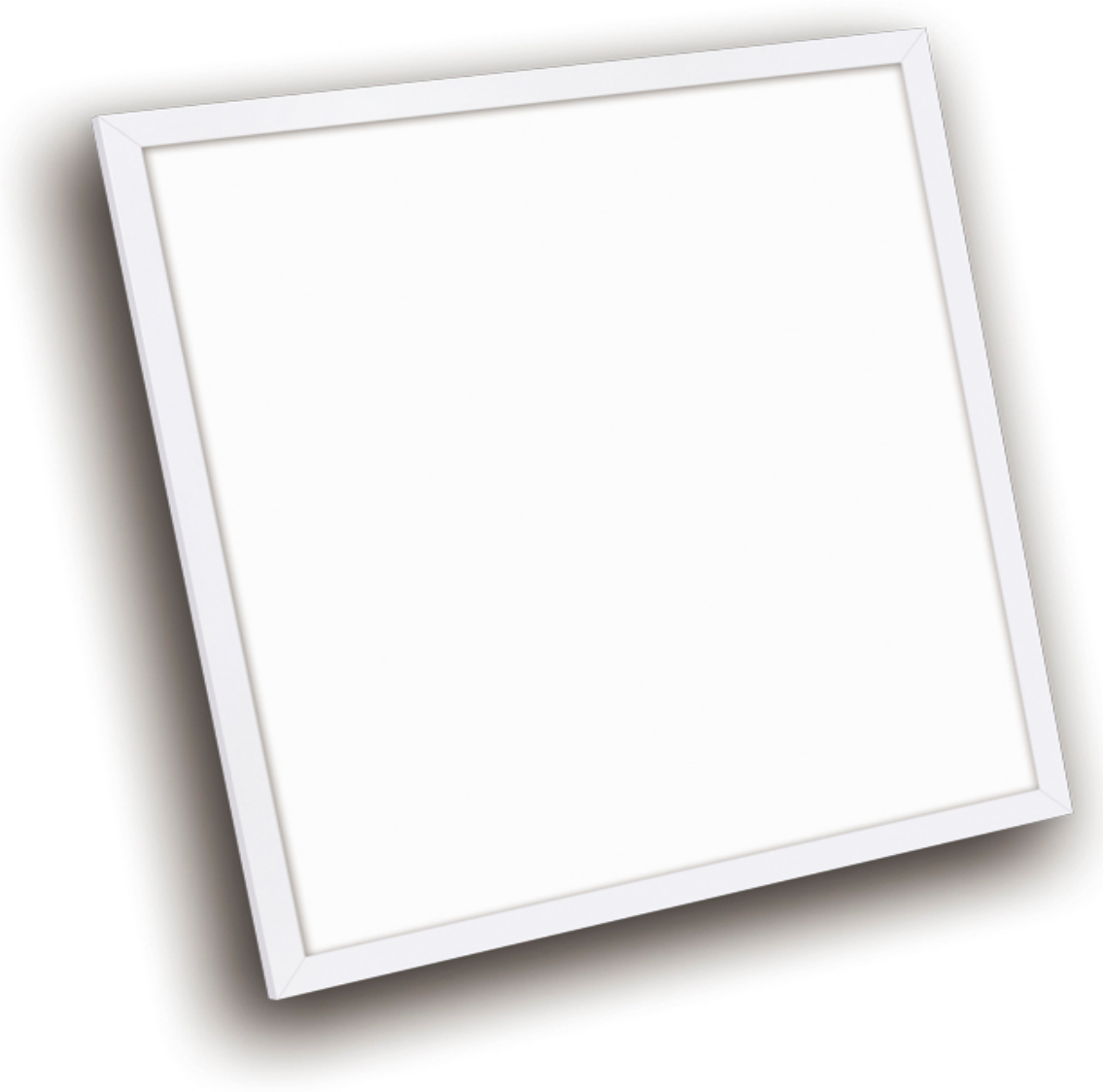
Mobile: +86-13560459594

Address: B Building, Chuangfu Industrial Zone, Beihuan Road,
Shiyan Town, Baoan District, Shenzhen, China.

LED Panel 600X600:

Features:

- Energy saving up to 50%.even lighting output.
- Low voltage: DC 24V.
- Instant start, no flicking, no humming.
- Special circuit design, each group of LEDs work separately, avoiding any problem of lighting output caused or influenced by single faulty LED.
- No RF interference.



LED panel second generation product features

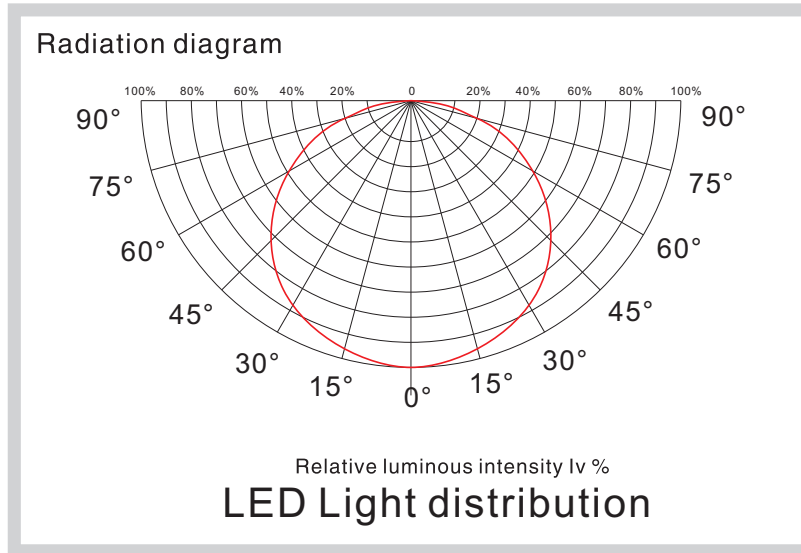
LED PANEL SPECIFICATIONS		
NUMBER	ITEM	DESCRIPTION
01	Input voltage	AC 100~240V
02	Panel Input voltage	DC 24V
03	Power consumption	41.65W
04	luminous flux	3466 lm(white) 2440lm(warm white)
05	Color	White Warm white
06	Color temperature	2500~4000k(Warm white) 4000~7000k(White)
07	Life time	>50,000 Hour
08	Operating temperature	-20°C to + 50°C
09	Storage temperature	-30°C to + 60°C
10	Luminosity	>852 Lux(1.2meter, White) >596 Lux(1.2meter, Warm white)
11	Certificates	CE . RoHS
12	Weight	3.8 KGS
13	Size	595X595X10.4 mm
14	Water proof	IP52

Part number	Color	Voltage	Power	Luminous Flux
LD-PACV3528-N-W	White	DC 24V	41.65 W	3466 lm
LD-PACV3528-N-WW	Warm white	DC 24V	41.65 W	2440 lm

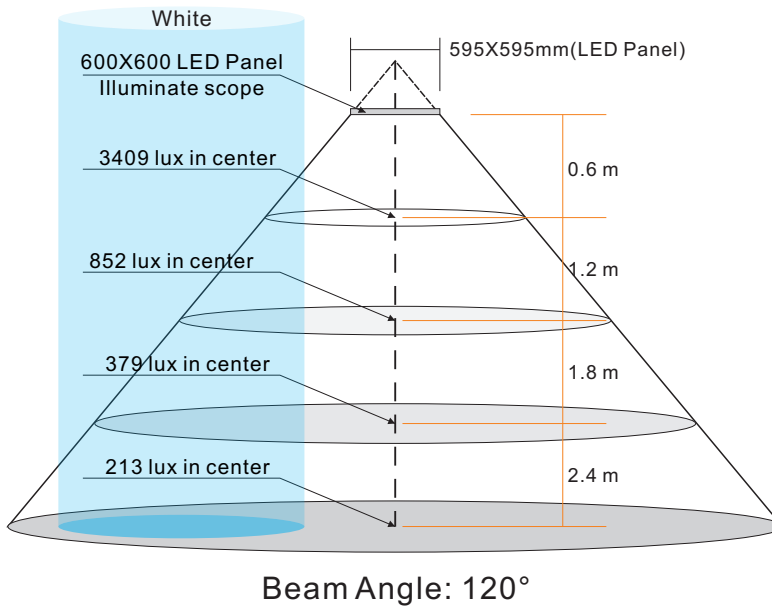
LED Lumen Attenuation:

Operating time(hours)	Lumen decrease(%)
5,000	2.3
10,000	5.4
20,000	11.5
50,000	25.2

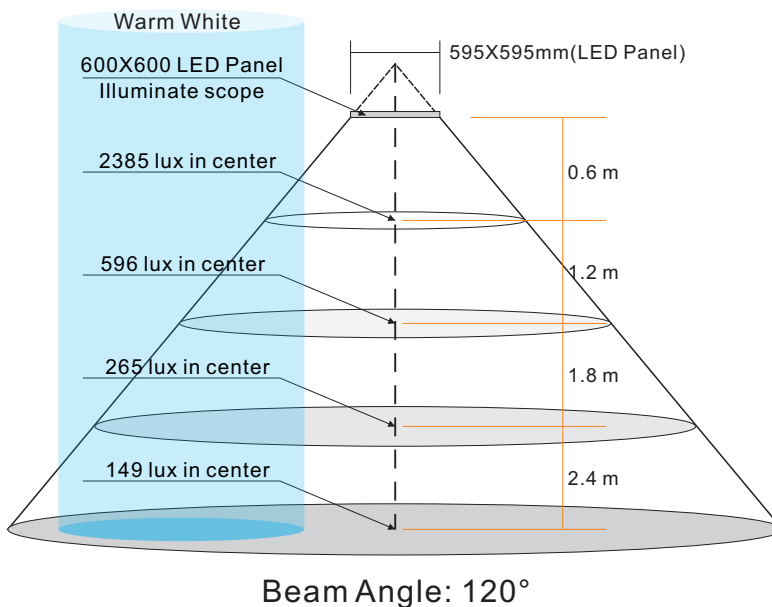
Light Distribution Graph



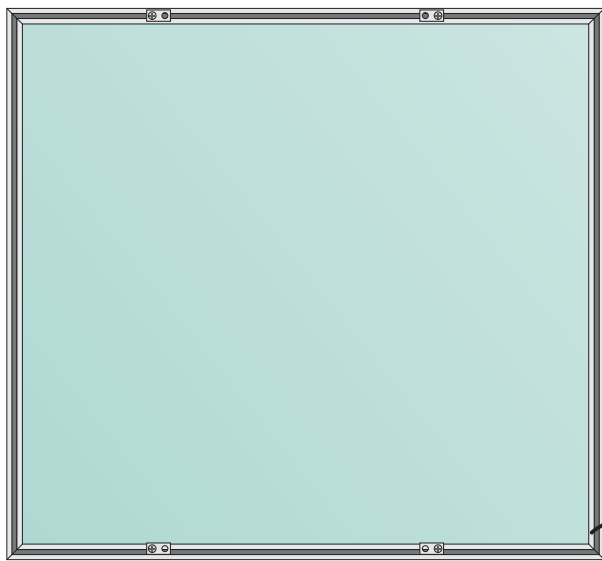
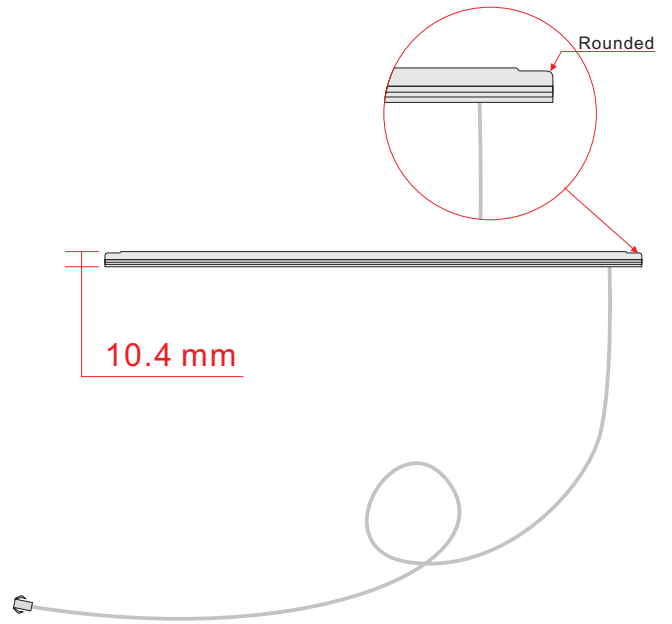
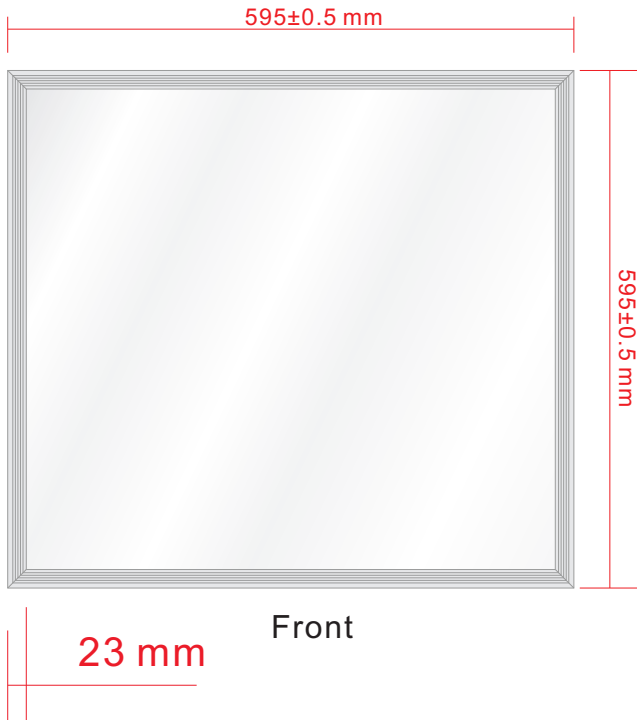
Illumination Cone Curve: (White)



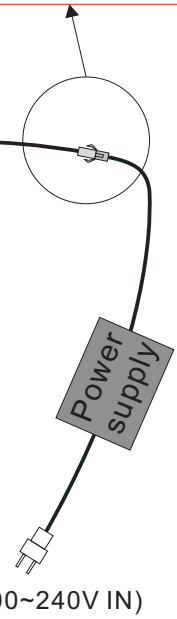
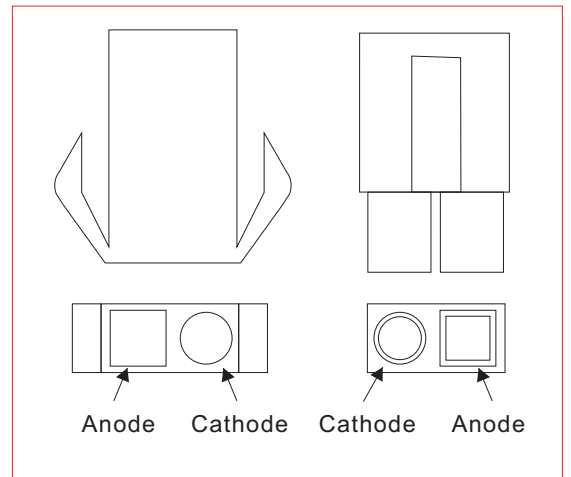
Illumination Cone Curve: (Warm White)



Panel Size:



Back



All dimension units are in millimeters ±0.5mm

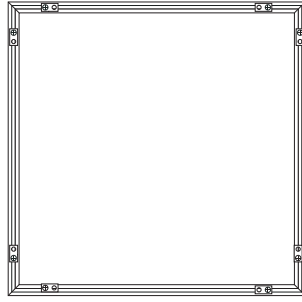
Packing

Outer carton: 76X67X35 cm

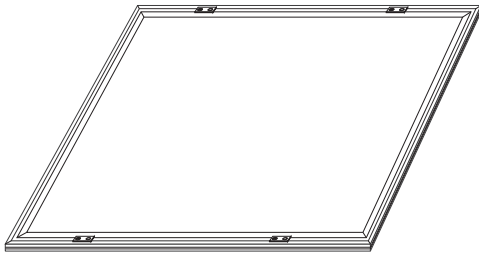
Net weight of each panel: 3.8 KG

Packing Qty: 2 pcs

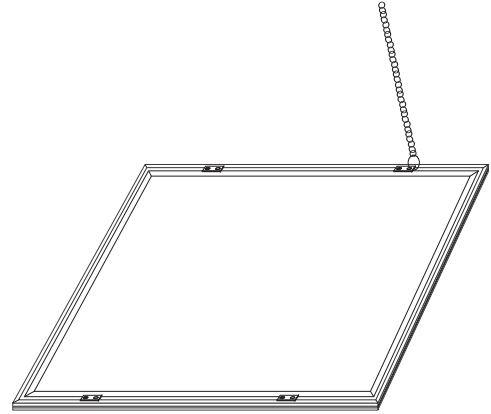
LED Panel light installing standard configuration:



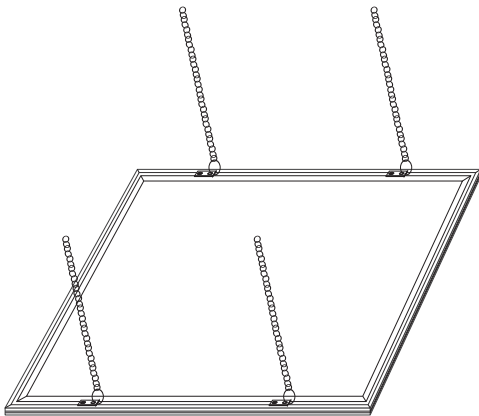
LED Panel hanging installation:



(Step1) LED panel back picture.



(step 2) Fixing the chains of the accessories to the mounting holes which are in the back of the panel light.

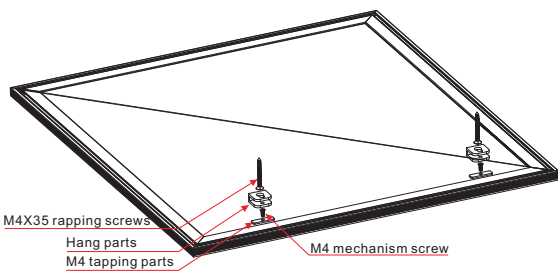


(step 3) Fixed picture.

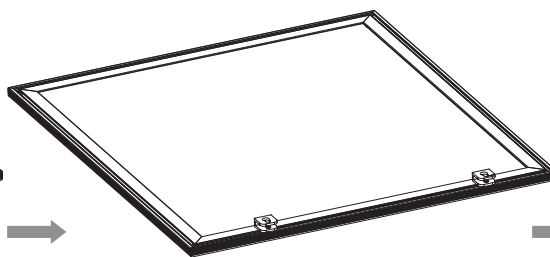


(step 4) Rendering.

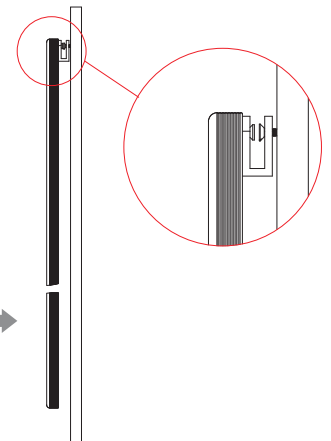
LED panel hanging installation in wall:



(Step 1) Put the M4 tapping into the sliding chute of panel in the back. Align M4 to the M4 tapping hole, and then fix it with screws.

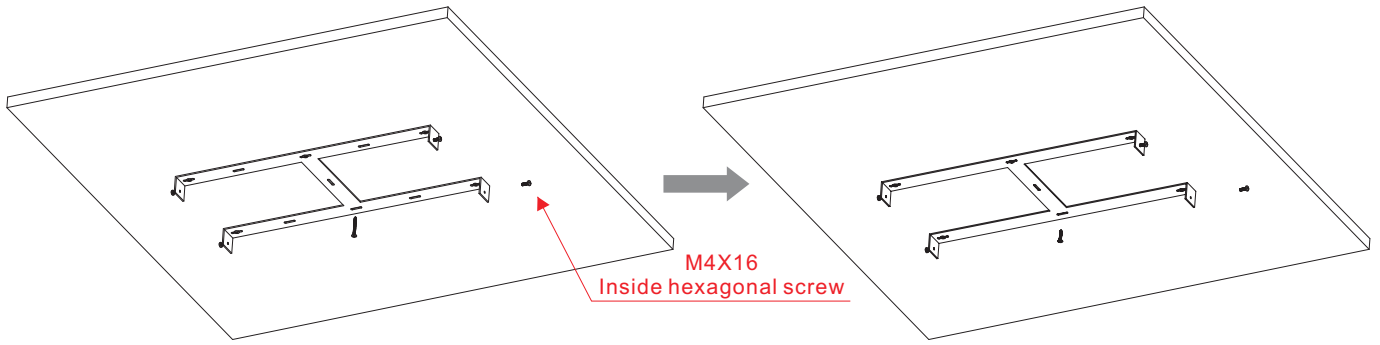


(Step2) The rendering after fixing to the panel.



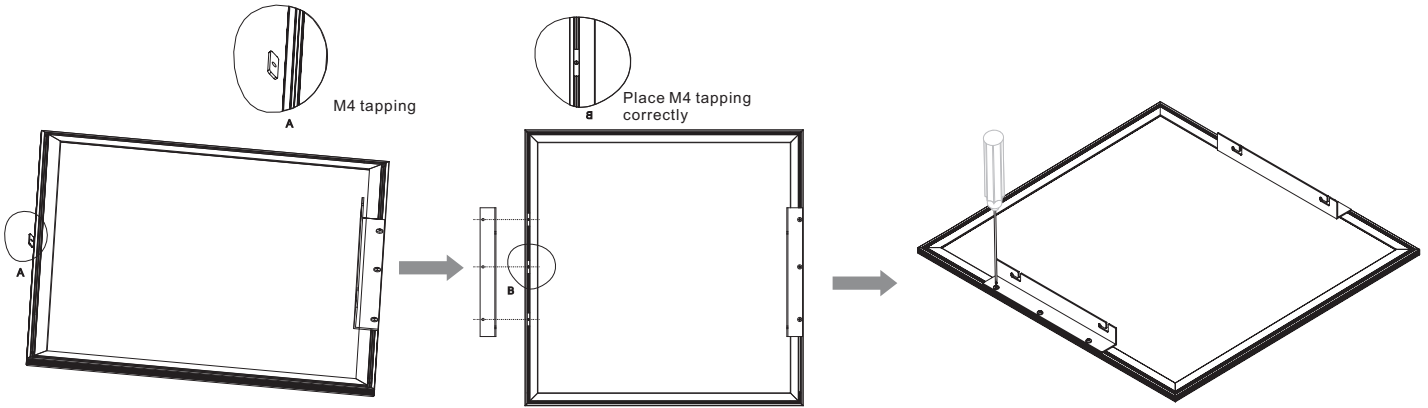
(Step3) The rendering after hanging to the wall.

LED Panel embedding in ceiling installation:



(Step 1) Ceiling fixed part.

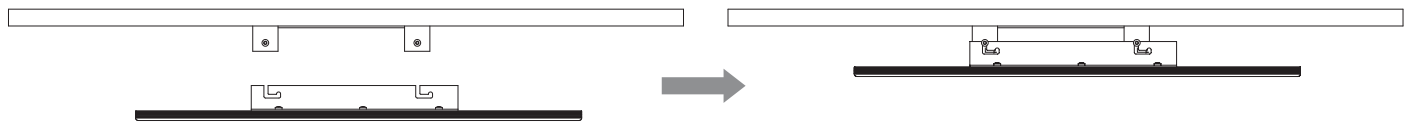
(step 2) Twist the both sides of Mechanism screws into the fixed part about 3mm



(Step 3) Put in M4 tapping

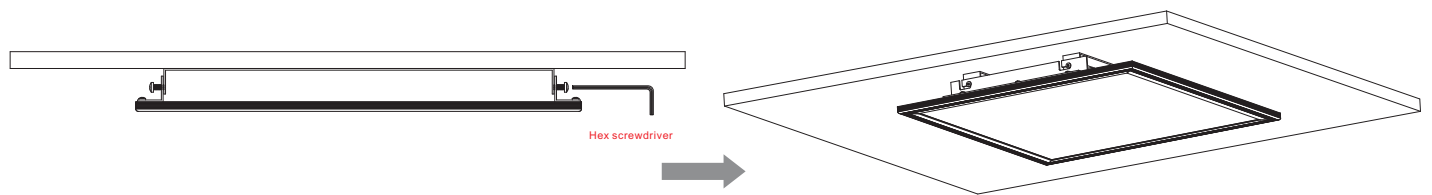
(step 4) Place the M4 tapping correctly

(step 5) Align the side of the sliding chute with M4 tapping screw holes. Fix the M4 screws



(Step 6) Align the sliding chute with fixed part, then twist the screws into 3mm.

(Step 7) Sliding into semicircular sliding chute area



(Step 8) Twist the screws of the left and right side of the fixed part tightly

(Step 9) The rendering after installed

Application:

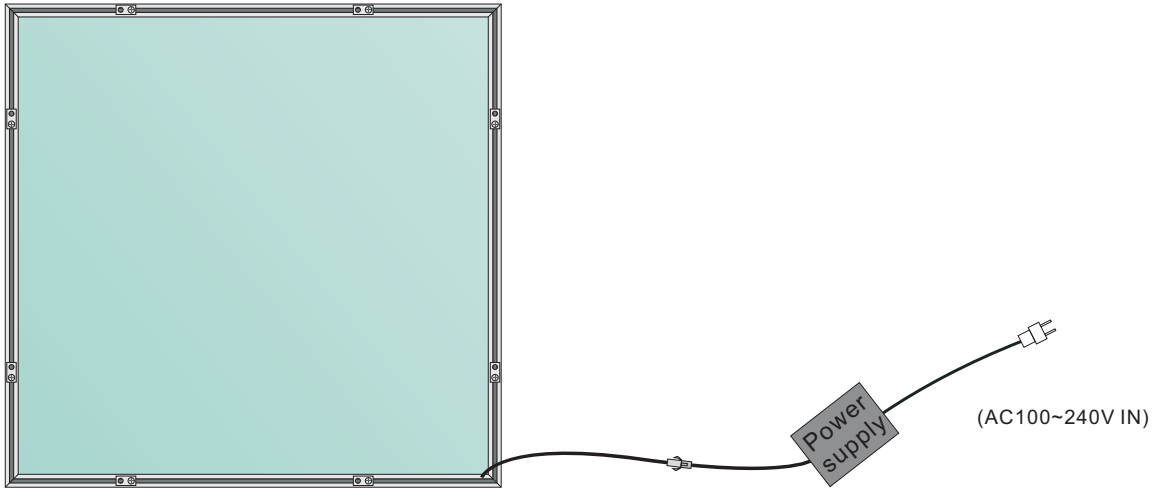
The product is energy-saving, the surface is all made of aluminum production, it has a good cooling system, easy installation, high-grade appearance, All above installations are suitable for office, conference room, classroom, shopping mall, Toilet, restaurant, museum, exhibition hall, corridor, lighting, jewelry, hotel, household lighting, etc.

Customer optional installation:

Installation classification	Material	Remarks
LED panel standard installation	Aluminium	General shipping(without order instruction)
LED panel hanging installation	Aluminium	Order instruction
LED panel hanging installation in wall	Aluminium	Order instruction
LED panel embedding in ceiling installation	Aluminium	Order instruction

Panel power supply connection :

LED panel power supply connection



Take on dimmers control more than one-sided panel power supply connection :

