



Dinam LED Limited, Dynamic lighting for colorful life

PRODUCTS SPECIFICATION

Diamond Frameless panel light

LD-PA-DM2835W-N

Made by	Checked by	Version
JiangHan	ZhangXiaoqiang	2013.03.06



Dinam LED Limited

Web: www.dinamled.com

Email: info@dinamled.com

Tel: +86-755-23063529

Fax: +86-755-22700020

Address: B Building, Chuangfu Industrial Zone, Beihuan Road,

Shiyan Town, Baoan District, Shenzhen, China.

LED Panel 600X300:

Features:

- Energy saving up to 50%.even lighting output.
- Low voltage: DC 24V.
- Instant start, no flicking, no humming.
- Special circuit design, each group of LEDs work separately, avoiding any problem of lighting output caused or influenced by single faulty LED.
- No RF interference.
- The light guide plate embedded in the aluminum profile, and can not see the frame.

Photo:



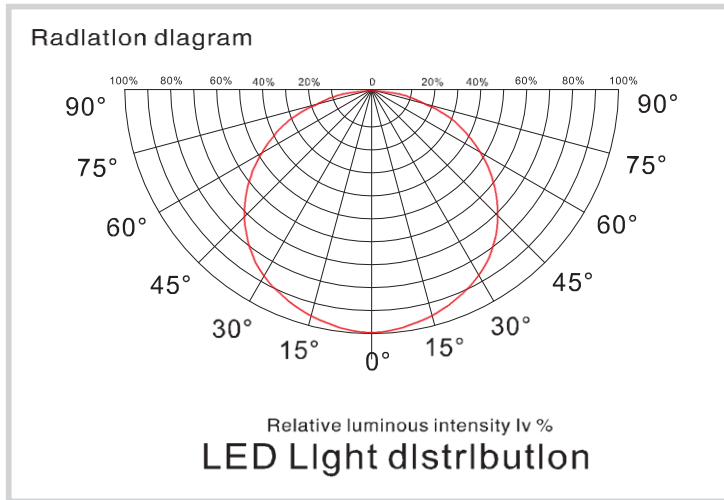
LED panel second generation product features

NUMBER	ITEM	DESCRIPTION
01	Input voltage	AC 100~240V
02	Panel Input voltage	DC 24V
03	Power consumption	25 \pm 10% W
04	luminous flux	>1500 lm(white) >1400lm(warm white)
05	Color	White Warm white
06	Color temperature	2500~4000k(Warm white) 4000~7000k(White)
07	Life time	>50,000 Hour
08	Operating temperature	-20 $^{\circ}$ C to + 50 $^{\circ}$ C
09	Storage temperature	-30 $^{\circ}$ C to + 60 $^{\circ}$ C
10	Luminosity	>110 Lux(1.2meter, White) >103 Lux(1.2meter, Warm white)
11	Certificates	CE • RoHS
12	Size	595X295X16.2 mm
13	Water proof	Ip52
14	Weight	2 . 35 KG

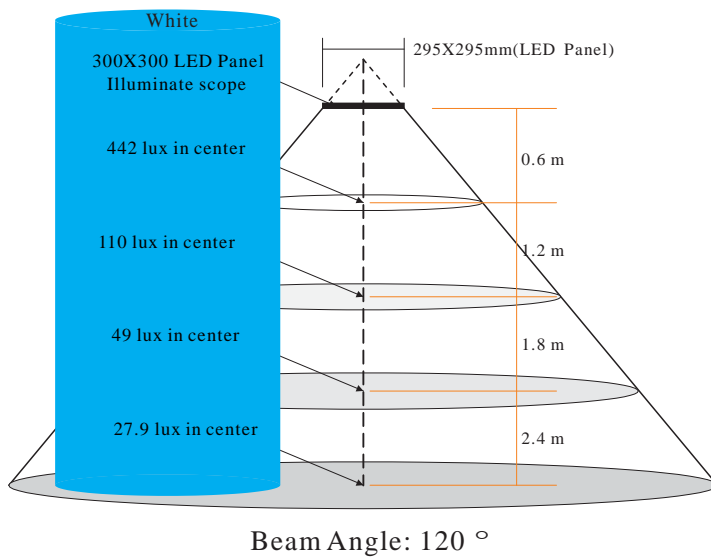
LED Lumen Attenuation:

Operating time(hours)	Lumen decrease(%)
5,000	2.3
10,000	5.4
20,000	11.5
50,000	25.2

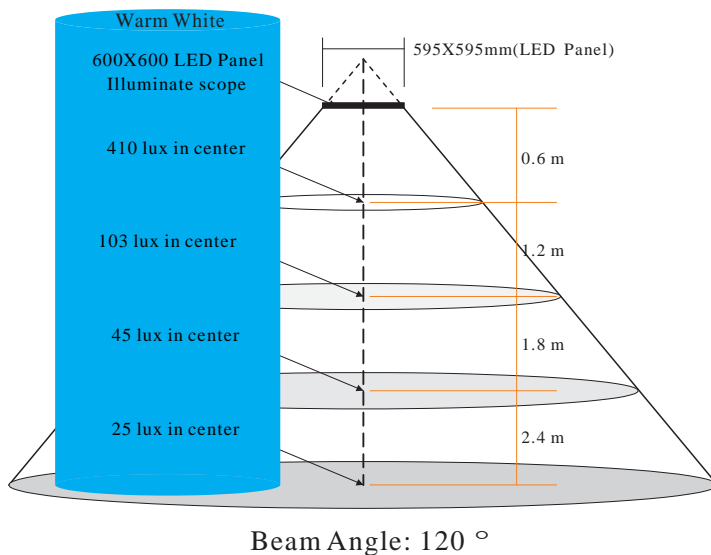
Light Distribution Graph



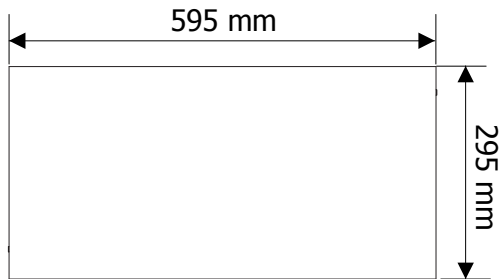
Illumination Cone Curve: (White)



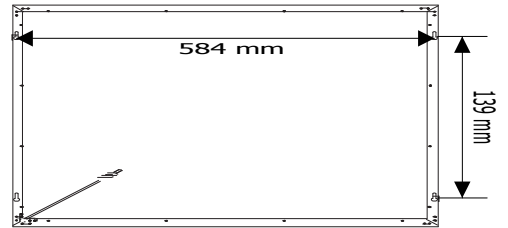
Illumination Cone Curve: (Warm White)



Panel Size:



Front



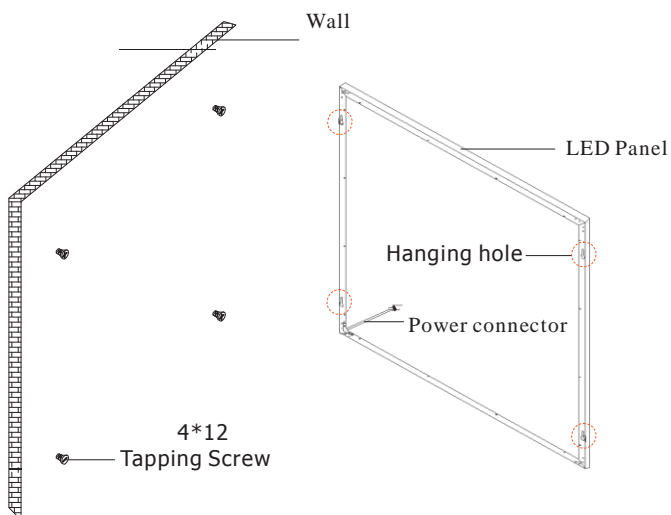
Back



Side

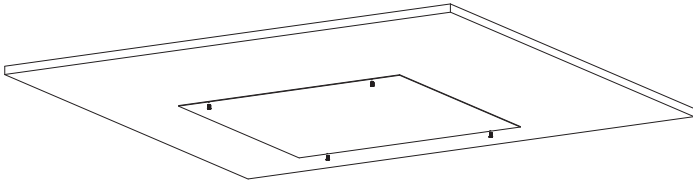
How to install

1.LED Panel Hanging Installation In Wall

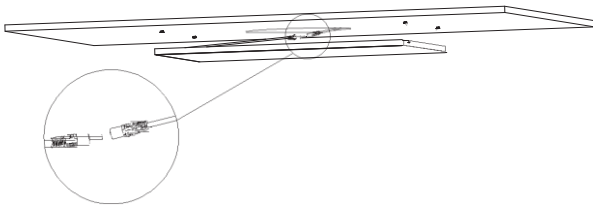


Fasten the 4*12 Wafer Head Self Tapping Screw on the wall, aim the hanging holes on the back of the frame, then let the screws slip into to the end of the hole from the big side.

2.LED Panel Hanging Installation In Ceiling



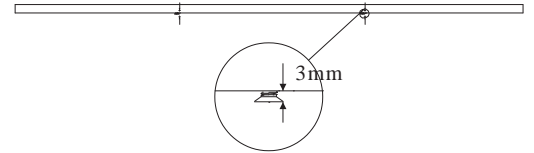
1. Take the paper out of the product packing boxes. Install the four screws on the lamps position of the ceiling top according to the hole position on the paper. The dimension of the screw is 4*12mm flat head self-tapping screw.



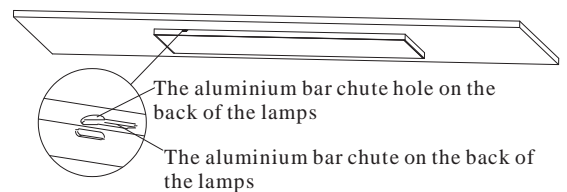
- 3.The drive power line on connecting products, the product is of low-volt input, it needs to be linked with the special power, don't turn on the lamps with the high-volt electricity directly.



5. Buckle the installation button into the aluminium bar's side hole, put on the electricity to turn on it, finish the installation.

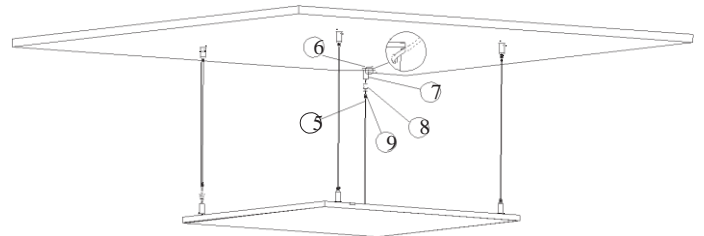
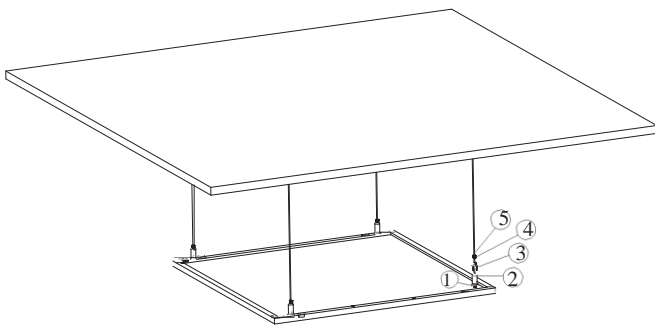


- 2.Fix the screw on the ceiling top according the hole position on the paper. Take off the paper, put the screw head flat 3mm distance from the ceiling head surface. The four screws should be in consistency. The screw on the ceiling top should be vertical.



- 4.Put the four chute holes on the back aluminium bars of the lamps directly to the four screws on the ceiling top. Hold the screw heads to the four holes on the aluminium bar, and slide it 12mm distance towards the aluminium bar chute directions.

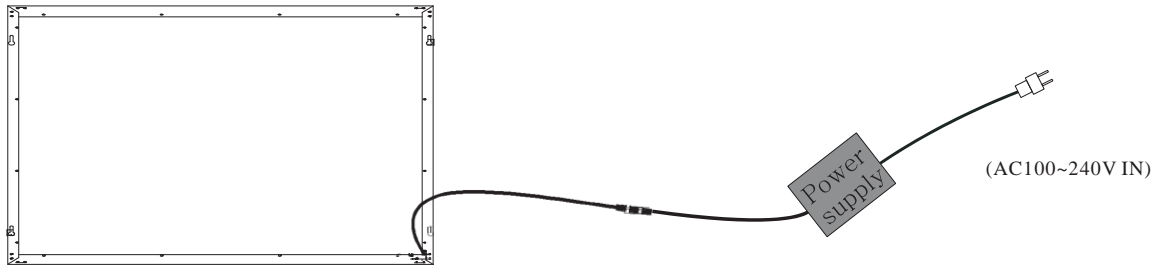
3. Panels hang type(steel wire rope)installation



1. Fasten the No. 2 cable fixed head with the KM4*8 screws to the lighting fixtures.
2. Let the steel wire go through the No.3 and No.4 cable fixed head according the drawing. Pull the steel wire to the clip on another end.
3. Fasten the No.3 and No.4 cable fixed head, connect the wire to the lighting fixtures
- 4.Fasten the No.7 cable fixed head to the ceiling by the KA4*16 mm screws.
- 5.Let the steel wire go through the No.8 and No.9 cable fixed head according the drawing. Pull out the steel wire from the No.7 cable fixed head.
- 6.Tighten No.8 cable fixed head, adjust the length of each steel wire to make sure the lighting fixture is horizontal.
- 7.Connect the wire to the power supply, the installation is completed.

Panel power supply connection :

LED panel power supply connection



Take on dimmers control more than one-sided panel power supply connection :

