



Dinam LED Limited, Dynamic lighting for colorful life

PRODUCTS SPECIFICATION

ULTRA-THIN CEILING LIGHT

CL-R09524



Dinam LED Limited

Web: www.dinamled.com

Email: info@dinamled.com

Contact: Luisa

Tel: +86-755-23063529

Fax: +86-755-22700020

Mobile: +86-13600151478

Mobile: +86-13560459594

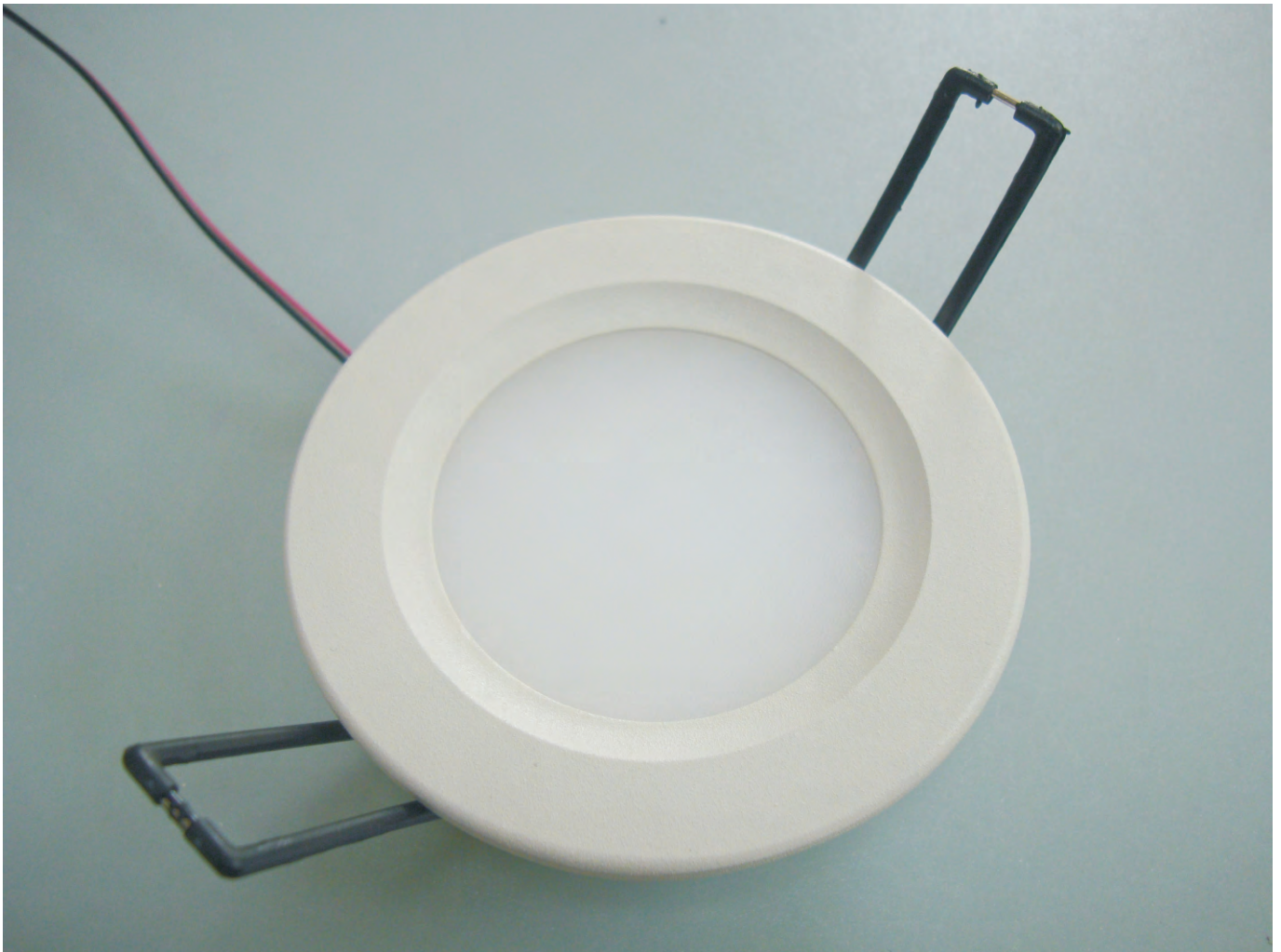
Address: B Building, Chuangfu Industrial Zone, Beihuan Road,
Shiyuan Town, Baoan District, Shenzhen, China.

LED Ultra-thin ceiling light features

Features:

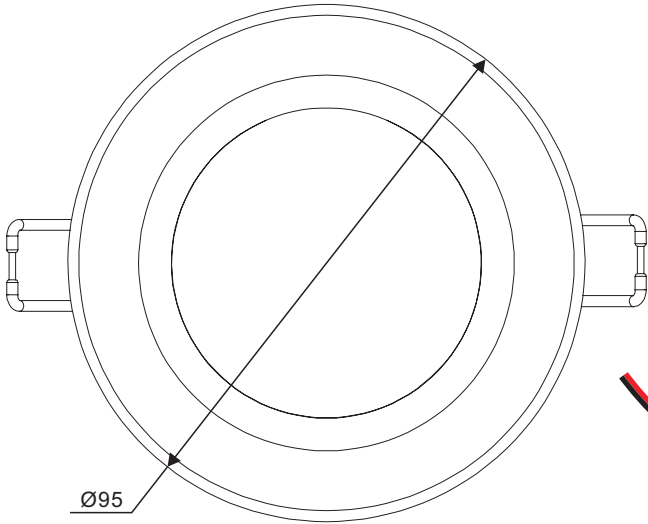
- Energy saving up to 50%. even lighting output.
- Low voltage: DC 24V.
- Instant start, no flicking, no humming.
- New high efficiency constant current driver.
- Special circuit design, each group of LEDs work separately, avoiding any problem of lighting output caused or influenced by single faulty LED.
- No RF interference.

Photo:

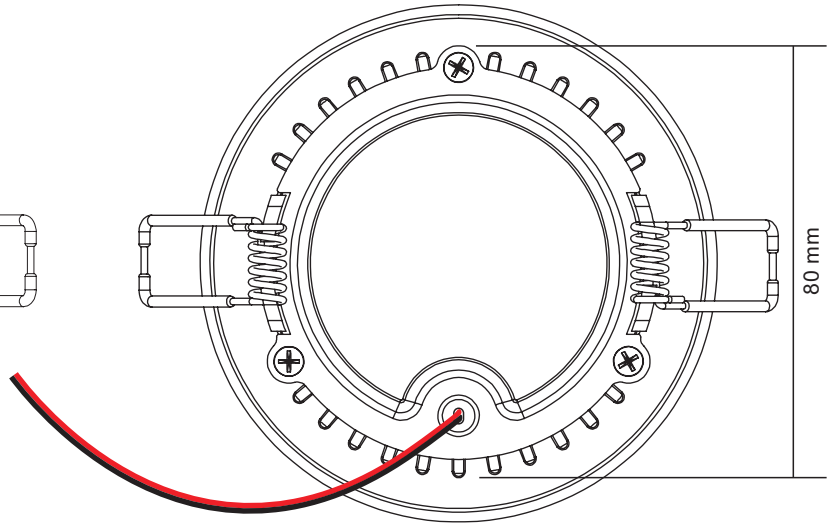


Assembly drawing

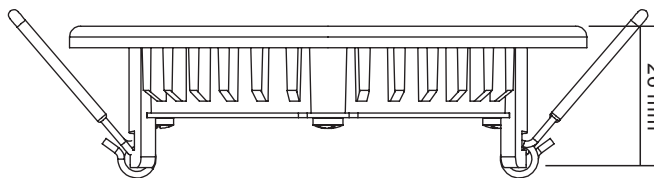
Top View



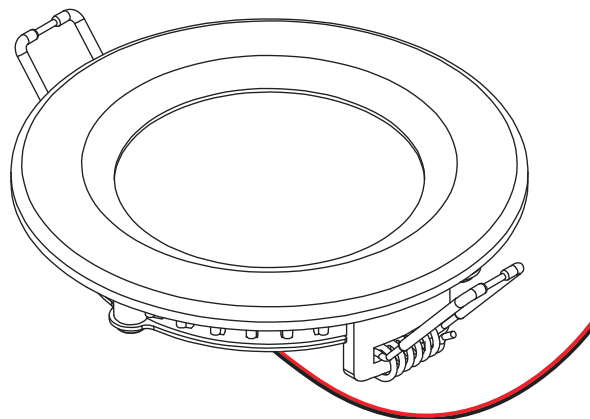
Bottom View



Lateral View



3D View




View Angle: 120 degrees

Operation Temperature: $-20\sim 50^{\circ}\text{C}$

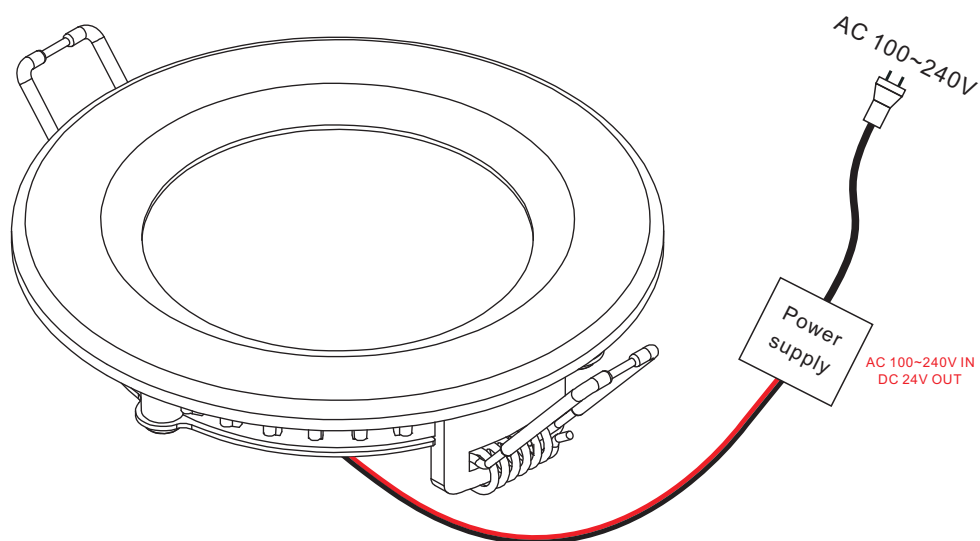
Store Temperature: $-30\sim 80^{\circ}\text{C}$

LED Ultra-thin ceiling light features:

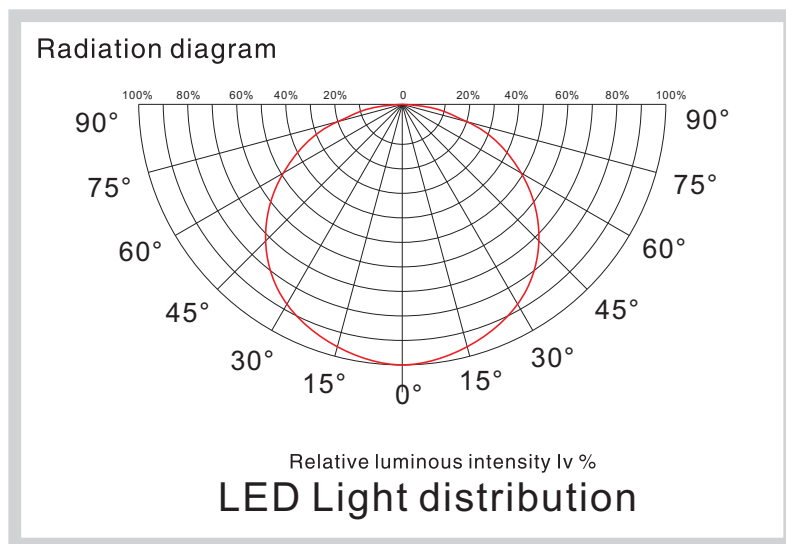
SPECIFICATIONS		
NUMBER	ITEM	DESCRIPTION
01	Input voltage	AC 100~240V
02	Ceiling light Input voltage	DC 24V
03	LED Quantity	56 pcs (3528 chip)
04	Power consumption	4.5W
05	luminous flux	171 lm(white) 270 lm(warm white)
06	Color	White Warm white
07	Color temperature	2500~4000k(Warm white) 4000~7000k(White)
08	Life time	>50,000 Hour
09	Operating temperature	-20°C to + 50°C
10	Storage temperature	-30°C to + 60°C
11	Certificates	CE . RoHS
12	Weight	100GS
13	Size	Ø95X26 mm
14	Punch	Ø85mm
15	Water proof	IP20

LED Ultra-thin ceiling light:								
	Ceiling lights: DC 24V							
	Product type	Part number	Color	TC	Lumen	SIZE	Volt	Power
	Ø 95	CL-R09524-WW	Warm w hite	2700-4000	180	Ø95 H:26	DC 24V	4 W
		CL-R09524-W	Pure w hite	4000-7000	170			
		CL-R09524-R	Red	615-630nm	51			
		CL-R09524-G	Green	515-530nm	51			
		CL-R09524-B	Blue	460-475nm	64			
		CL-R09524-Y	Yellow	585-595nm	102			
		CL-R09524-P	Pink	440-480nm	51			
			(K)		(MM)	(V)	(W)	

LED Ultra-thin ceiling light connect:



Light Distribution Graph:



LED Lumen Attenuation:

Operating time(hours)	Lumen decrease(%)
5,000	2.3%
10,000	5.4%
20,000	11.5%
50,000	25.2%