



Dinam LED Limited, Dynamic lighting for colorful life

PRODUCTS SPECIFICATION

ULTRA-THIN CEILING LIGHT

CL-R27524



Dinam LED Limited

Web: www.dinamled.com

Email: info@dinamled.com

Contact: Luisa

Tel: +86-755-23063529

Fax: +86-755-22700020

Mobile: +86-13600151478

Mobile: +86-13560459594

Address: B Building, Chuangfu Industrial Zone, Beihuan Road,
Shiyuan Town, Baoan District, Shenzhen, China.

LED Ultra-thin ceiling light features

Features:

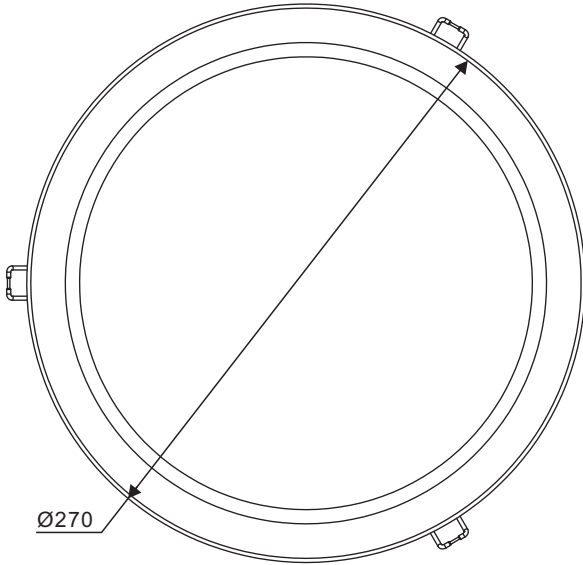
- Energy saving up to 50%. even lighting output.
- Low voltage: DC 24V.
- Instant start, no flicking, no humming.
- New high efficiency constant current driver.
- Special circuit design, each group of LEDs work separately, avoiding any problem of lighting output caused or influenced by single faulty LED.
- No RF interference.

Photo:

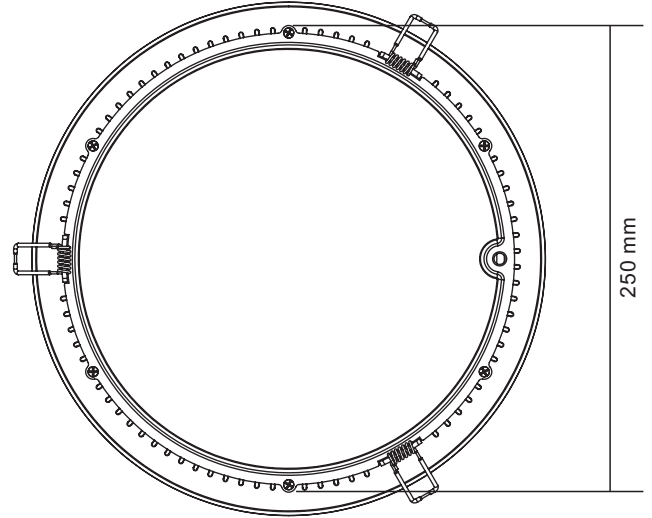


Assembly drawing

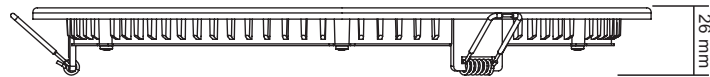
Top View



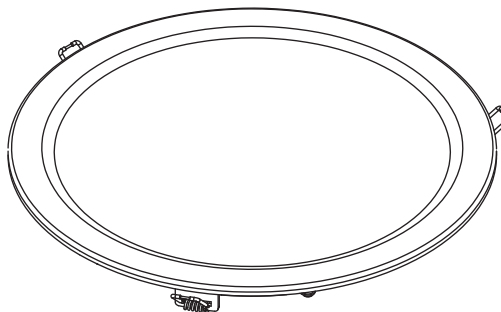
Bottom View



Lateral View



3D View




View Angle: 120 degrees

Operation Temperature: $-20\sim 50^{\circ}\text{C}$

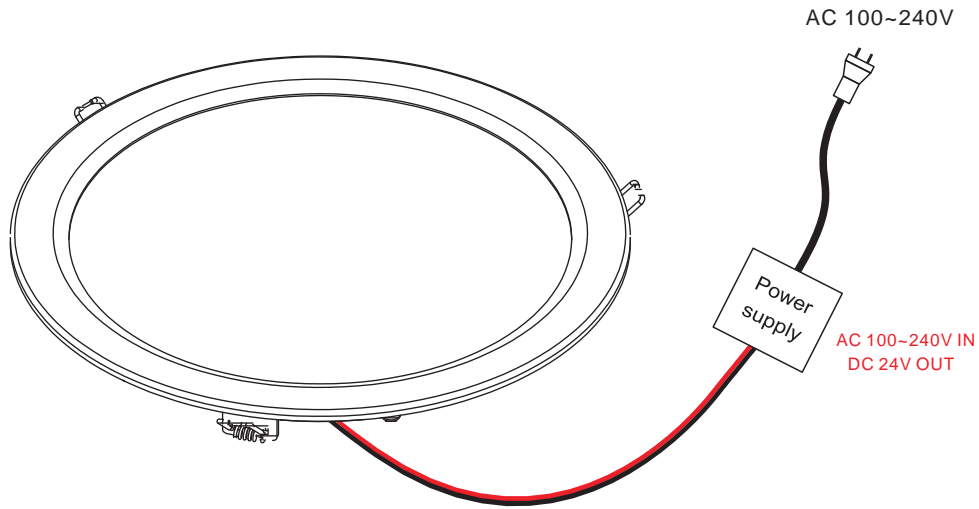
Store Temperature: $-30\sim 80^{\circ}\text{C}$

LED Ultra-thin ceiling light features:

SPECIFICATIONS		
NUMBER	ITEM	DESCRIPTION
01	Ceiling light Input voltage	DC 24V
02	LED Type	3528 chip
03	Power consumption	18.25 W
04	luminous flux	1150 lm(white) 1100 lm(warm white)
05	Color	White Warm white
06	Color temperature	2500~4000k(Warm white) 4000~7000k(White)
07	Life time	>50,000 Hour
08	Operating temperature	-20°C to + 50°C
09	Storage temperature	-30°C to + 60°C
10	Certificates	CE . RoHS
11	Weight	616 G
12	Size	Ø275X26 mm
13	Punch	Ø265mm
14	Water proof	IP20

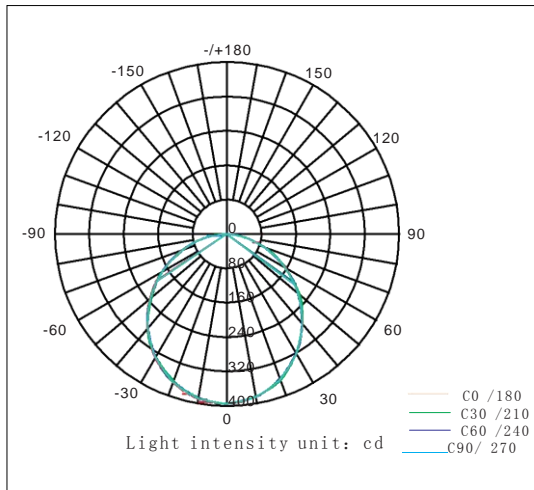
LED Ultra-thin ceiling light:								
	Ceiling lights: DC 24V							
	Product type	Part number	Color	TC (K)	Lumen	SIZE (MM)	Volt (V)	Power (W)
	Ø 275	CL-R27524-WW	Warm white	2700-4000	1100	Φ265 H:26	DC 24V	18.25 W
	CL-R27524-W	Pure white	4000-7000	1150				

LED Ultra-thin ceiling light connect:

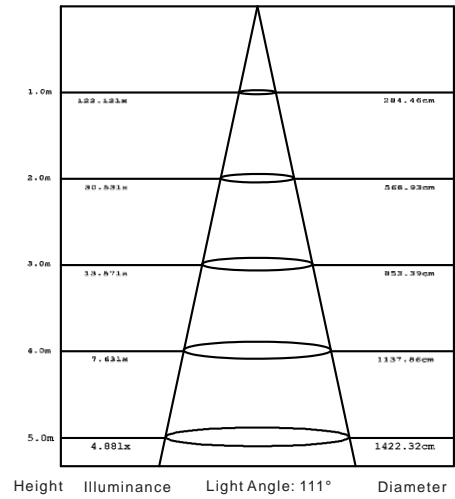


Light Distribution Graph:

Indoor lamps and lanterns light distribution curve



Average illuminance figure



LED Lumen Attenuation:

Operating time(hours)	Lumen decrease(%)
5,000	2.3%
10,000	5.4%
20,000	11.5%
50,000	25.2%