



Dinam LED Limited, Dynamic lighting for colorful life

PRODUCTS SPECIFICATION

ULTRA-THIN CEILING LIGHT

CL-L10024



Dinam LED Limited

Web: www.dinamled.com

Email: info@dinamled.com

Contact: Luisa

Tel: +86-755-23063529

Fax: +86-755-22700020

Mobile: +86-13600151478

Mobile: +86-13560459594

Address: B Building, Chuangfu Industrial Zone, Beihuan Road,
Shiyuan Town, Baoan District, Shenzhen, China.

LED Ultra-thin ceiling light features

Features:

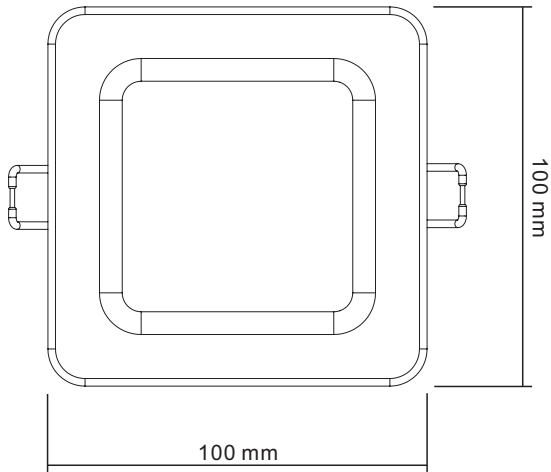
- Energy saving up to 50%. even lighting output.
- Low voltage: DC 24V.
- Instant start, no flicking, no humming.
- New high efficiency constant current driver.
- Special circuit design, each group of LEDs work separately, avoiding any problem of lighting output caused or influenced by single faulty LED.
- No RF interference.

Photo:

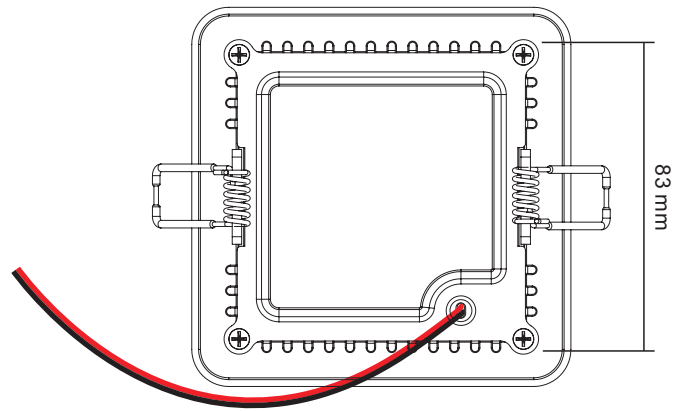


Assembly drawing

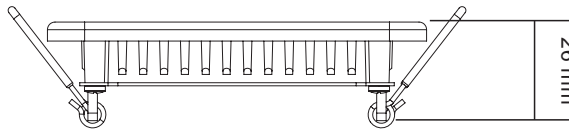
Top View



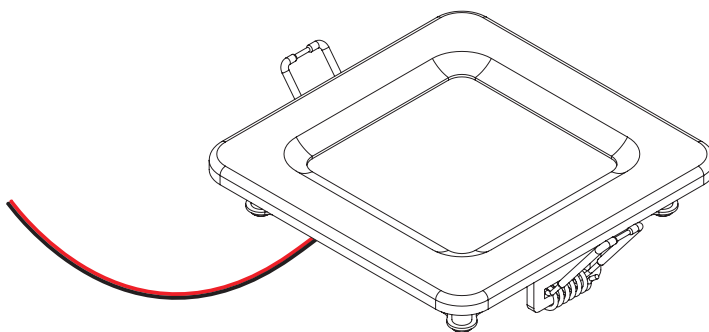
Bottom View



Lateral View



3D View



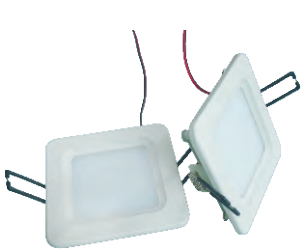
View Angle: 120 degrees

Operation Temperature: -20~50°C

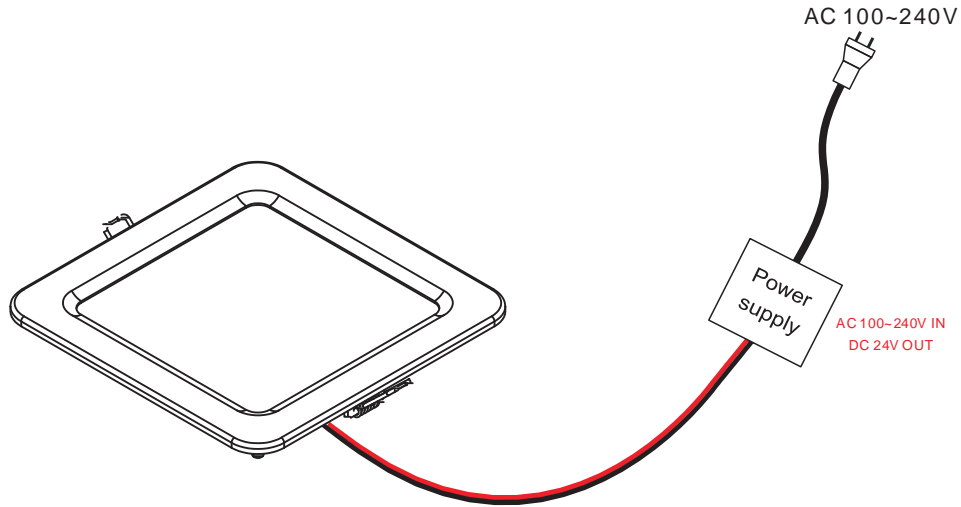
Store Temperature: -30~80°C

LED Ultra-thin ceiling light features:

SPECIFICATIONS		
NUMBER	ITEM	DESCRIPTION
01	Input voltage	AC 100~240V
02	Ceiling light Input voltage	DC 24V
03	Power consumption	4.8W
04	luminous flux	210 lm(white) 200 lm(warm white)
05	Color	White Warm white
06	Color temperature	2500~4000k(Warm white) 4000~7000k(White)
07	Life time	>50,000 Hour
08	Operating temperature	-20°C to + 50°C
09	Storage temperature	-30°C to + 60°C
10	Certificates	CE . RoHS
11	Weight	128 G
12	Size	L:100mm W:100mm H:26 mm
13	Punch	L: 90mm W:90mm
14	Water proof	IP20

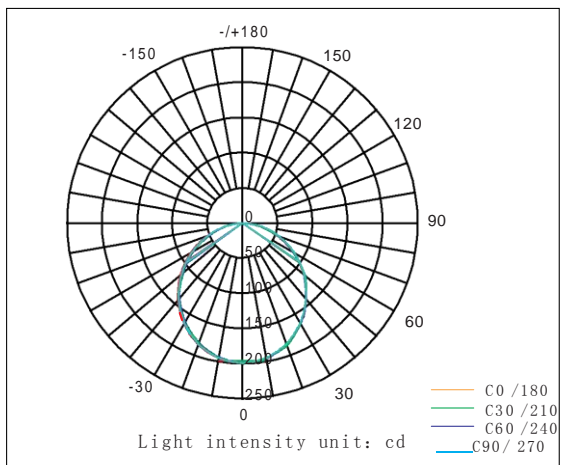
LED Ultra-thin ceiling light:								
	Ceiling lights: DC 24V							
	Product type	Part number	Color	TC	Lumen	SIZE	Volt	Power
				(K)		(MM)	(V)	(W)
L100	CL-L10024-WW	Warm w hite	2700-4000	220 lm	L100 W100 H:26	DC 24V	4.8 W	
	CL-L10024-W	Pure w hite	4000-7000	200 lm				

LED Ultra-thin ceiling light connect:

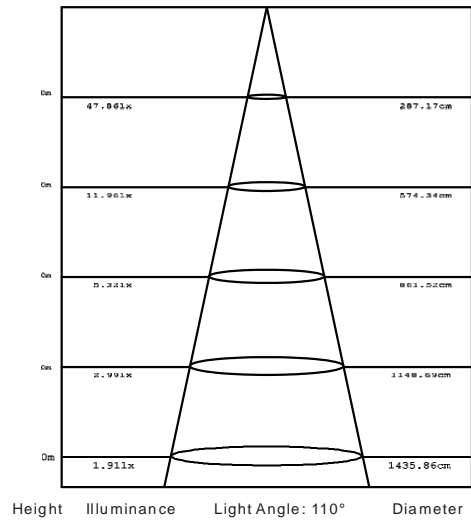


Light Distribution Graph:

Indoor lamps and lanterns light distribution curve



Average illuminance figure



LED Lumen Attenuation:

Operating time(hours)	Lumen decrease(%)
5,000	2.3%
10,000	5.4%
20,000	11.5%
50,000	25.2%