



Dinam LED Limited, Dynamic lighting for colorful life

PRODUCTS SPECIFICATION

ULTRA-THIN CEILING LIGHT

CL-L33024



Dinam LED Limited

Web: www.dinamled.com

Email: info@dinamled.com

Contact: Luisa

Tel: +86-755-23063529

Fax: +86-755-22700020

Mobile: +86-13600151478

Mobile: +86-13560459594

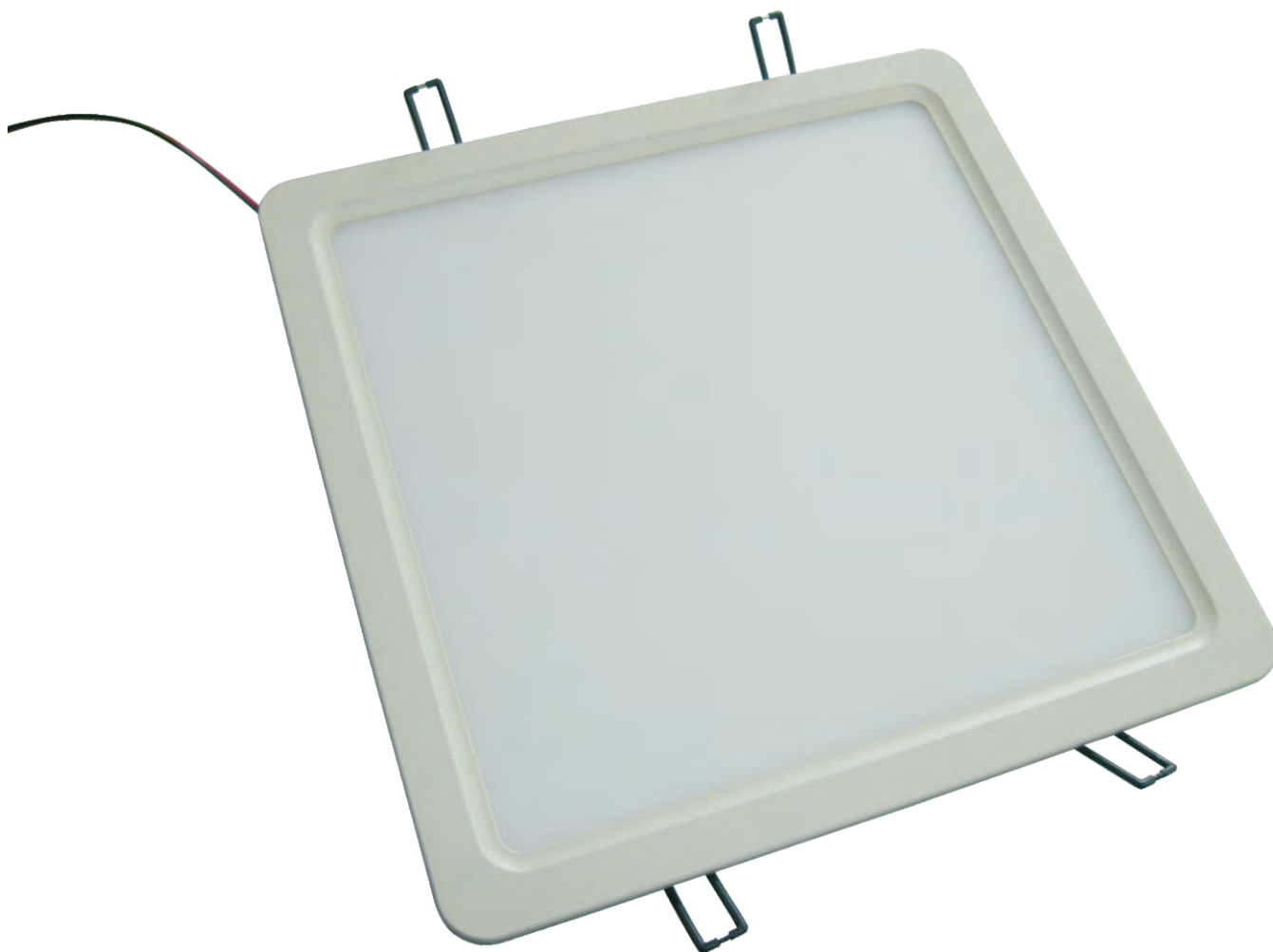
Address: B Building, Chuangfu Industrial Zone, Beihuan Road,
Shiyuan Town, Baoan District, Shenzhen, China.

LED Ultra-thin ceiling light features

Features:

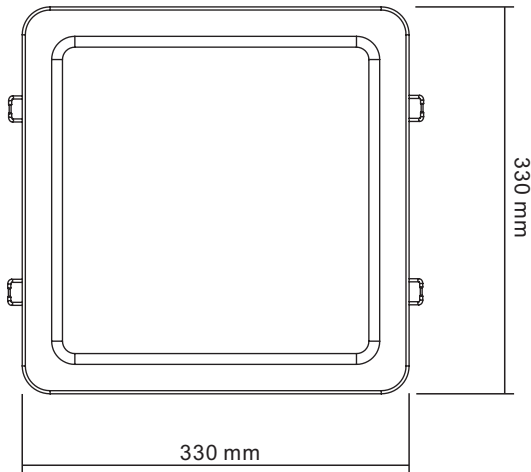
- Energy saving up to 50%. even lighting output.
- Low voltage: DC 24V.
- Instant start, no flicking, no humming.
- New high efficiency constant current driver.
- Special circuit design, each group of LEDs work separately, avoiding any problem of lighting output caused or influenced by single faulty LED.
- No RF interference.

Photo:

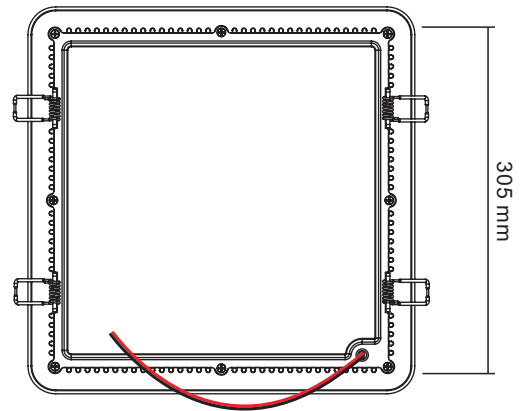


Assembly drawing

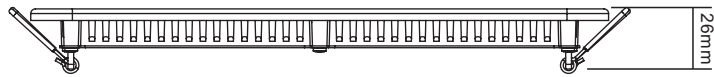
Top View



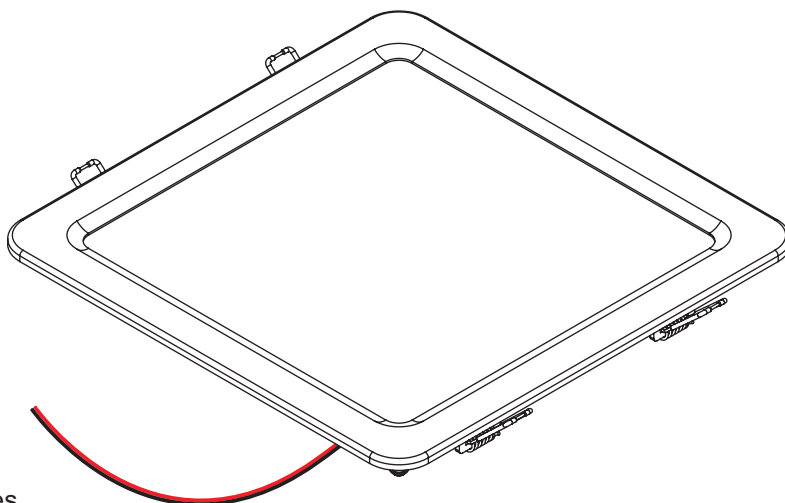
Bottom View



Lateral View



3D View




View Angle: 120 degrees

Operation Temperature: -20~50°C

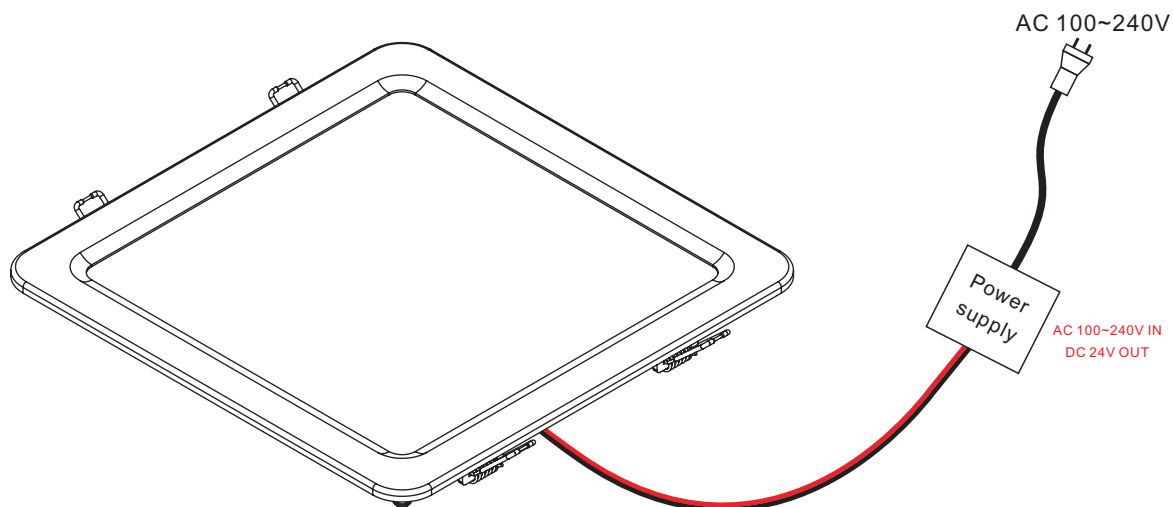
Store Temperature: -30~80°C

LED Ultra-thin ceiling light features:

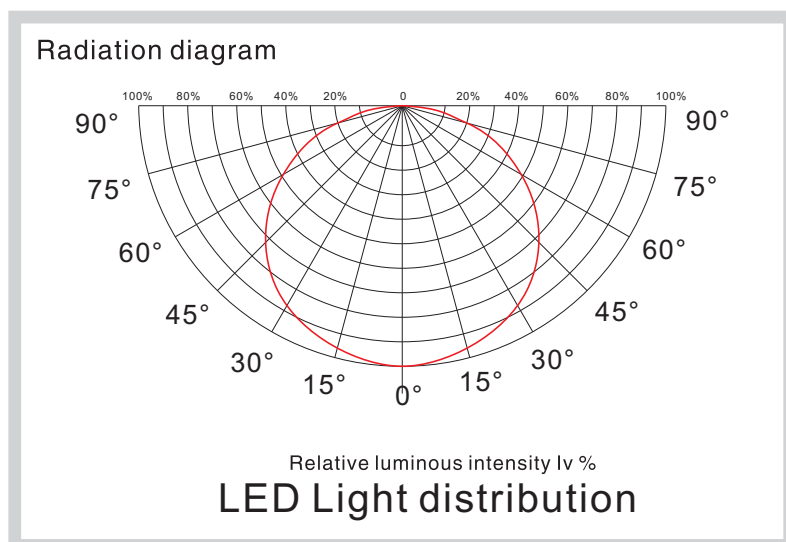
SPECIFICATIONS		
NUMBER	ITEM	DESCRIPTION
01	Input voltage	AC 100~240V
02	Ceiling light Input voltage	DC 24V
03	Power consumption	27W
04	luminous flux	1500 lm(white) 1450 lm(warm white)
05	Color	White Warm white
06	Color temperature	2300~4000k(Warm white) 4000~10000k(White)
07	Life time	>50,000 Hour
08	Operating temperature	-20°C to + 50°C
09	Storage temperature	-30°C to + 60°C
10	Certificates	CE . RoHS
11	Weight	1208 G
12	Size	L:330mm W:330mm H:26 mm
13	Punch	L: 315mm W:315mm
14	Water proof	IP20

LED Ultra-thin ceiling light:								
	Ceiling lights: DC 24V							
	Product type	Part number	Color	TC	Lumen	SIZE	Volt	Power
				(K)		(MM)	(V)	(W)
L330	CL-L33024-WW	Warm white	2700-4000	1500 lm	L330 W330 H:26	DC 24V	27 W	
	CL-L33024-W	Pure white	4000-7000	1450 lm				

LED Ultra-thin ceiling light connect:



Light Distribution Graph:



LED Lumen Attenuation:

Operating time(hours)	Lumen decrease(%)
5,000	2.3%
10,000	5.4%
20,000	11.5%
50,000	25.2%